



# W600/W605 Series 5 7/8" Overall Frame Depth Fixed

## W600/W605 SERIES FIXED

### FEATURES

- ◇ **Framing System**
  - Patented OptiCore Technology
  - Architectural grade aluminum exterior
  - Dual Euro-Groove frame system
  - 5 7/8" Overall Frame Depth (4 9/16" from fin to interior)
- ◇ **Enhanced Design**
  - Azo-Core Thermal Barrier System for reduced thermal-conductivity and increased energy-efficiency
  - Pine wood interior
  - Modern, squared frame glazing
  - 1 5/8" narrow sitalines
  - With or without Integral Nailing Fin
- ◇ **Glazing**
  - 1" insulating glass
  - Dual-sealed Warm Edge Super Spacer system

### OPTIONS

- ◇ **Available Configurations**
  - Fixed
  - Continuous frame capabilities
- ◇ **Enhanced Design**
  - Traditional/Historic beveled frame glazing (W605 Series)
  - If using wire-frame set-up with an operating unit as part of the design, 2 7/8" casement framing will be used
- ◇ **Muntin Choices**
  - Internal or simulated divided lites available
- ◇ **Glazing**
  - Multiple Low-E and argon glazing choices
  - Impact-rated glazing package
  - Glazing pocket can accept up to 1 3/8" insulating glass for sound attenuation purposes
  - Triple glazing
  - Capillary tubes
  - Wide variety of tinting and pane thickness options
- ◇ **Panning & Trim Choices**
  - Wide variety of panning, receptor and trim available
- ◇ **Mulling**
  - Wide variety of structural mulls

### BENEFITS

- ◇ Capacity to match exterior colors for unique project facades
- ◇ Two-tone capabilities with a color to match the building interior and another to match the exterior
- ◇ Maximum sizing affords the facilitation of large sizes for taller and wider window openings
- ◇ Dynamic thermal performance for a wood clad window

### PERFORMANCE

- ◇ Structural & Thermal (test reports available upon request)

Model	W600/W605 Fixed
NAFS Rating	Up to AW-PG100-F
Test Size	72" x 120"
Design Pressure (P.S.F.)	Up to 100
Air Infiltration at 25 MPH (cfm/ft <sup>2</sup> )	<0.10
Water Resistance (P.S.F.)	Up to 15
CR (Condensation Resistance)	51-79
U-Value (ranges based on multiple Low-E/Argon combinations)	0.14-0.29
SHGC (ranges based on multiple Low-E/Argon combinations)	0.13-0.57
OITC/STC	25-31 / 30-36

CR, U-Value and SHGC values shown are a range based on Quaker's most popular glass package options in all-window testing (not center-of-glass testing). Test results were achieved with no grids. The addition of optional grids may cause the results to vary slightly. Other available glass options may result in scores outside of the range shown.

OITC/STC ranges are based on the use of multiple glass pane thicknesses.

Our products are tested to the standards of and certified by some of the foremost organizations in the fenestration industry.



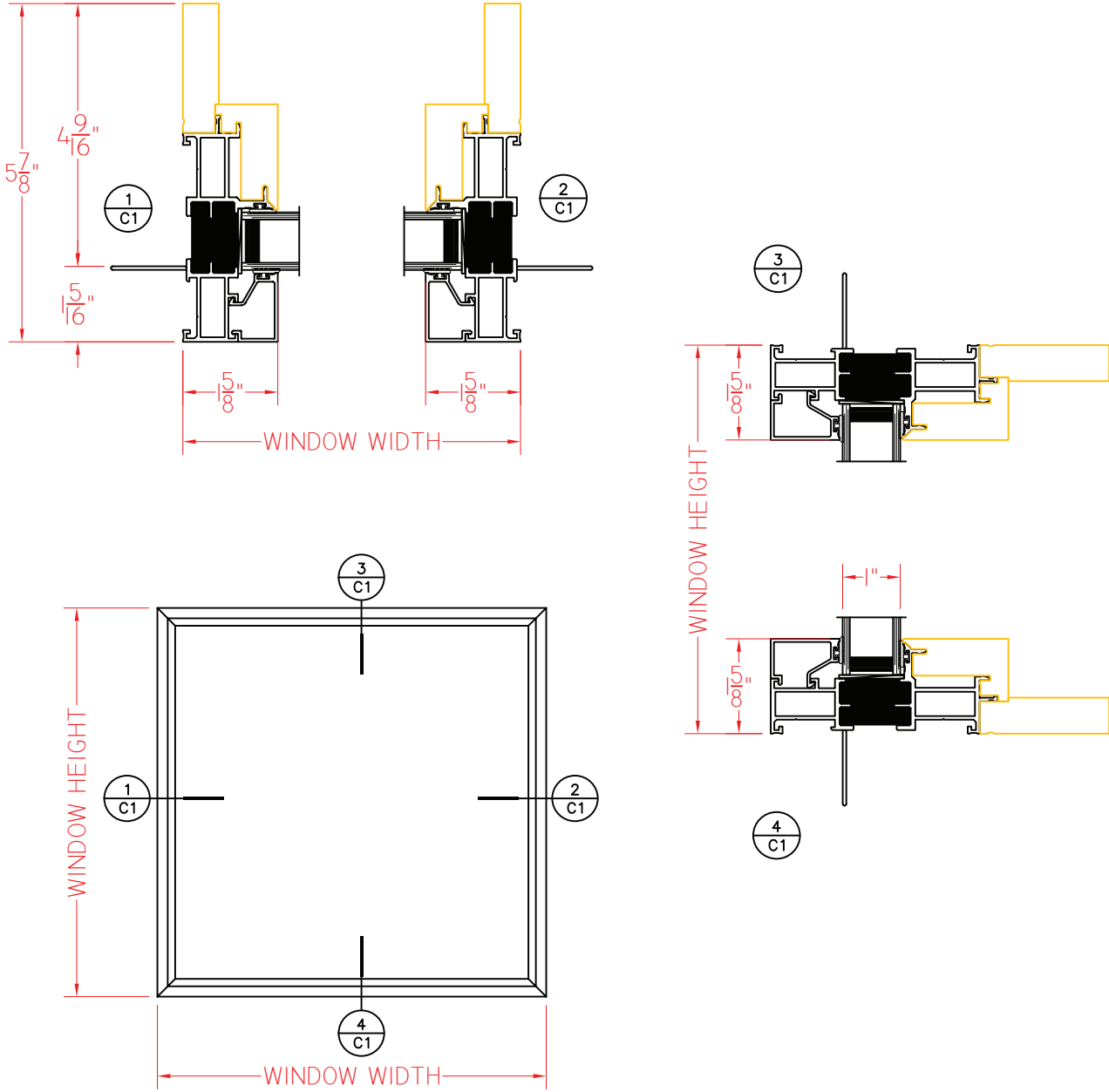


# W600 Series 5 7/8" Overall Frame Depth Fixed

## W600 SERIES FIXED

WITH NAILING FIN AND  
SQUARE GLAZING STOPS

This document contains confidential and proprietary information intended for the private use of Quaker.  
© 2019 Quaker Window Products Co., INC. All rights reserved.  
Quaker reserves the right to change any/all designs without notice. Due to periodic re-certification requirements, result shown may vary.



ELEVATION SCALE 3/4" = 1'-0"

SHEET C1  
SCALE 1:3

Our products are tested to the standards of and certified by some of the foremost organizations in the fenestration industry.

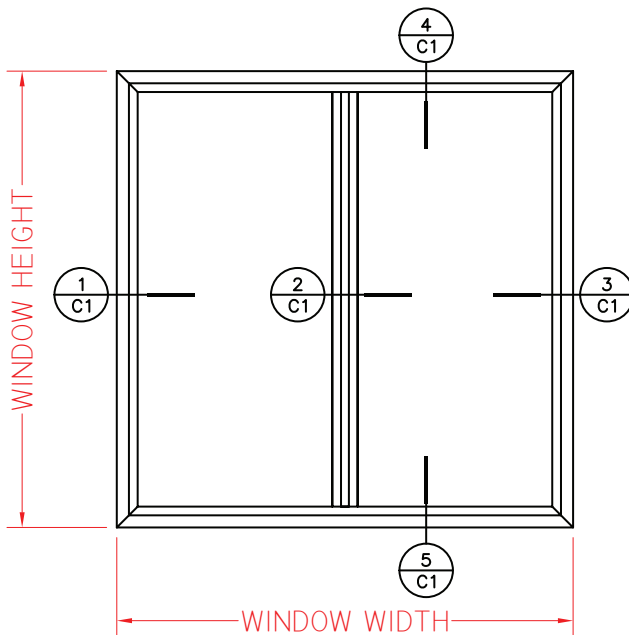
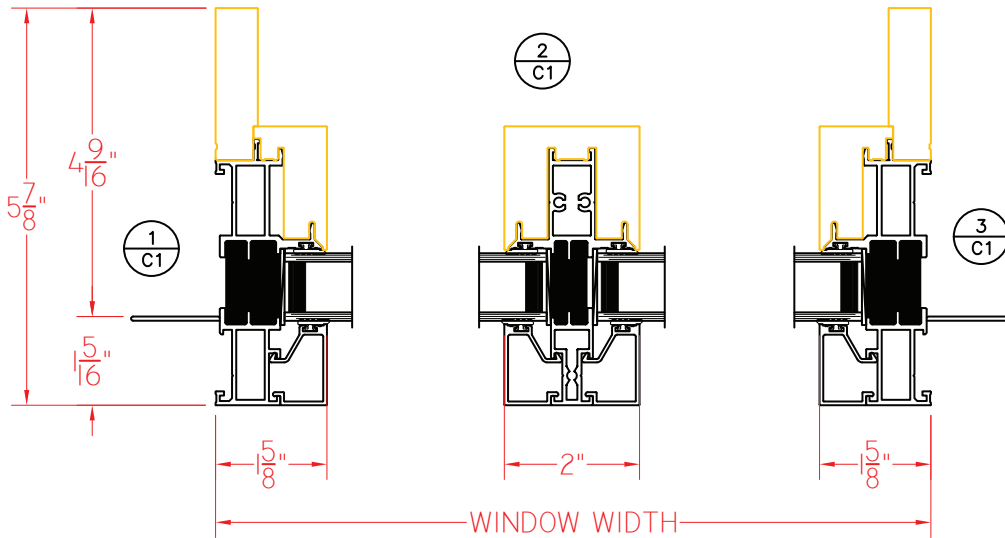




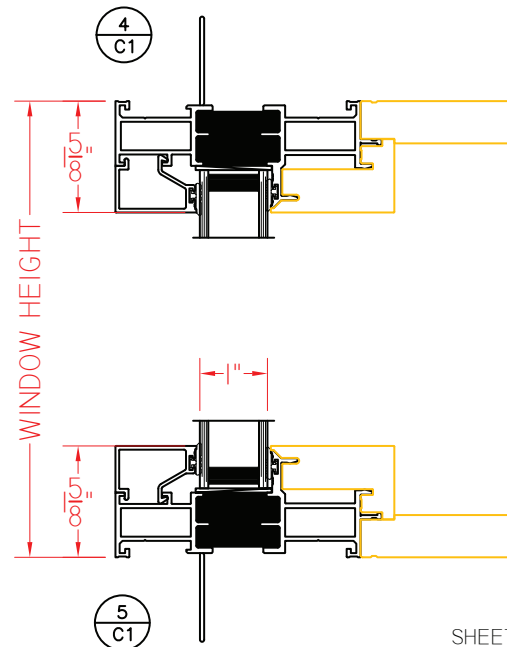
**W600 Series**  
**5 7/8" Overall Frame Depth**  
**Fixed**

**W600 SERIES FIXED/FIXED - SIDE BY SIDE** WITH NAILING FIN AND, SQUARE GLAZING STOPS

This document contains confidential and proprietary information intended for the private use of Quaker.  
© 2019 Quaker Window Products Co., INC. All rights reserved.  
Quaker reserves the right to change any/all designs without notice. Due to periodic re-certification requirements, result shown may vary.



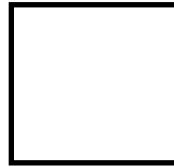
ELEVATION SCALE 3/4" = 1'-0"



SHEET C1  
SCALE 1:3

Our products are tested to the standards of and certified by some of the foremost organizations in the fenestration industry.



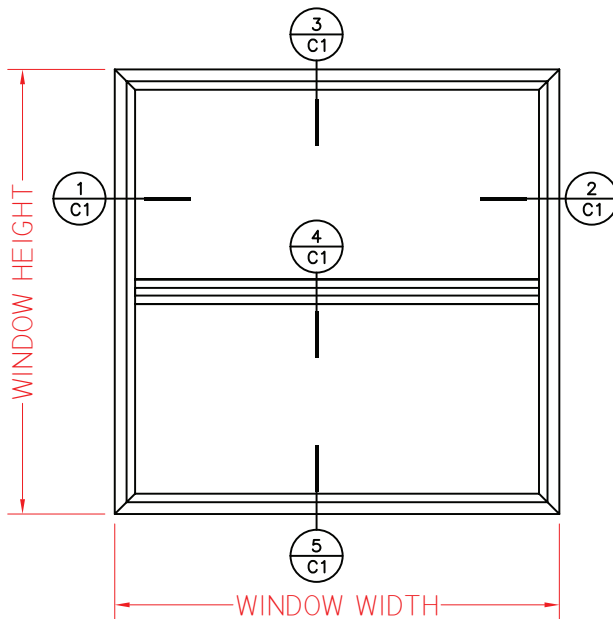
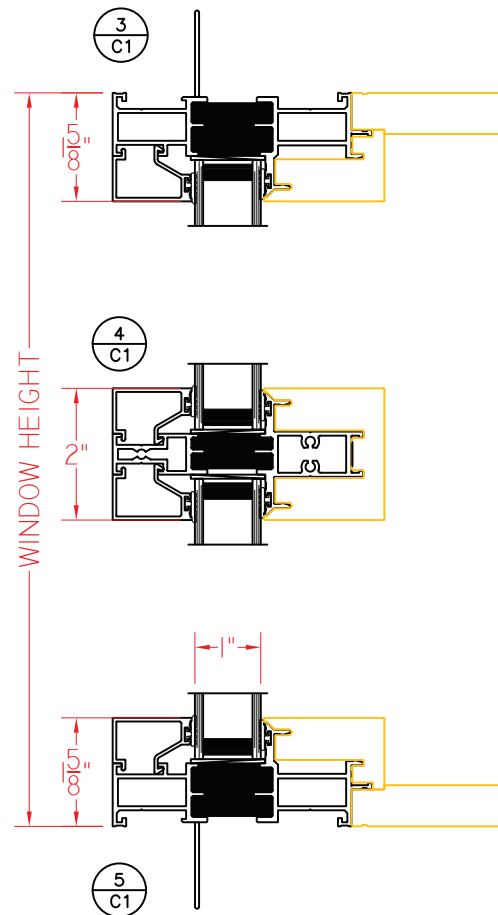
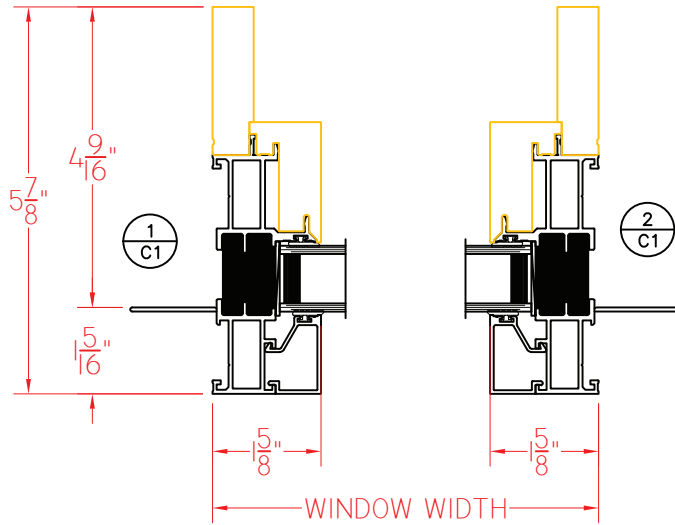


# W600 Series 5 7/8" Overall Frame Depth Fixed

## W600 SERIES FIXED/FIXED (STACKED)

WITH NAILING FIN AND  
SQUARE GLAZING STOPS

This document contains confidential and proprietary information intended for the private use of Quaker.  
© 2019 Quaker Window Products Co., INC. All rights reserved.  
Quaker reserves the right to change any/all designs without notice. Due to periodic re-certification requirements, result shown may vary.

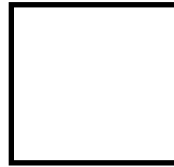


ELEVATION SCALE 3/4" = 1'-0"

SHEET C1  
SCALE 1:3

Our products are tested to the standards of and certified by some of the foremost organizations in the fenestration industry.



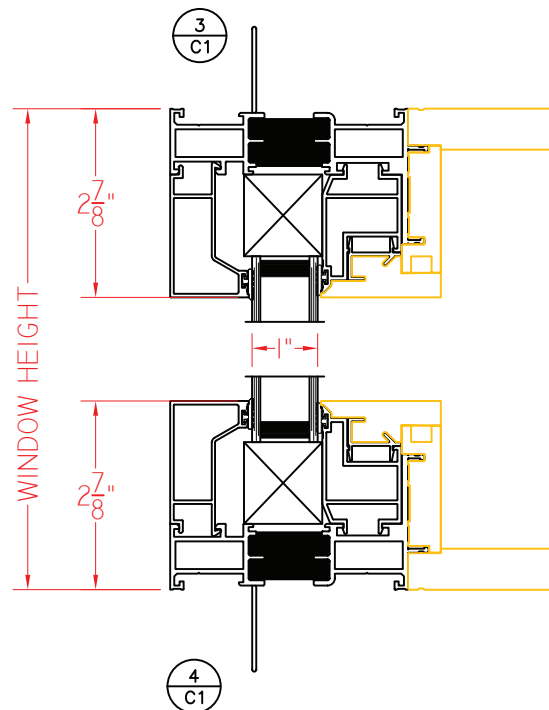
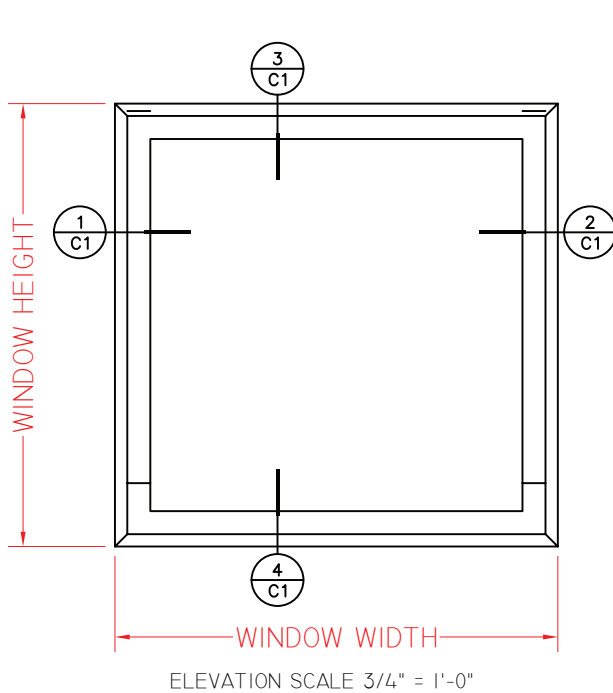
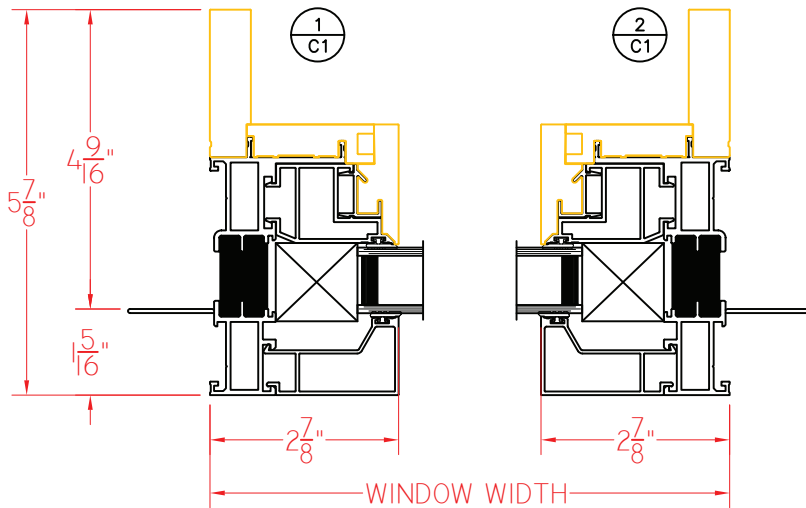


# W600 Series 5 7/8" Overall Frame Depth Fixed (Wider Frame)

**W600 SERIES FIXED**  
WIDER FRAMING (2 7/8") TO BE USED IN WIRE-FRAME SET-UPS  
INCORPORATING AT LEAST ONE OPERATING UNIT

WITH NAILING FIN AND  
SQUARE GLAZING STOPS

This document contains confidential and proprietary information intended for the private use of Quaker.  
© 2019 Quaker Window Products Co., INC. All rights reserved.  
Quaker reserves the right to change any/all designs without notice. Due to periodic re-certification requirements, result shown may vary.



Our products are tested to the standards of and certified by some of the foremost organizations in the fenestration industry.



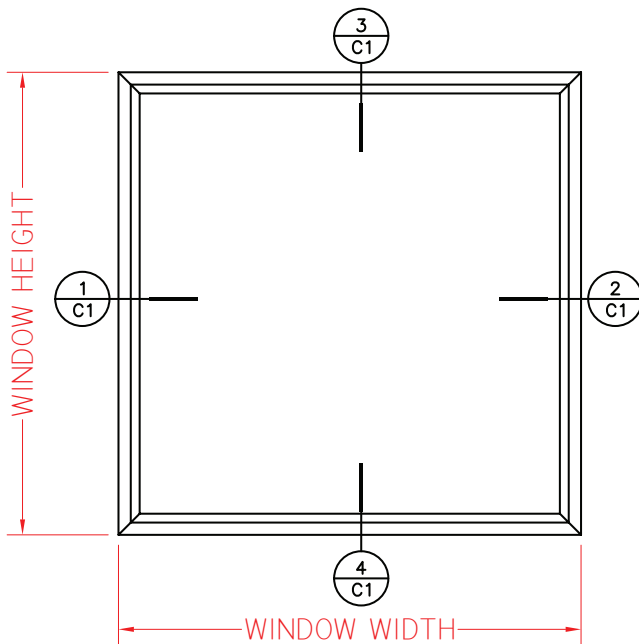
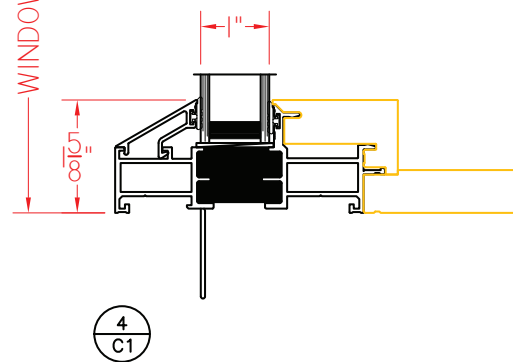
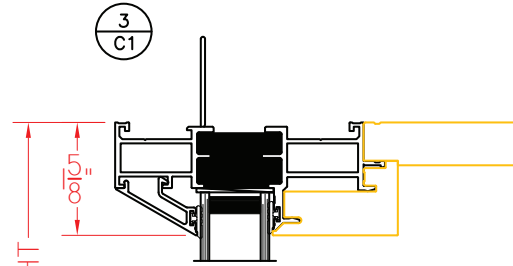
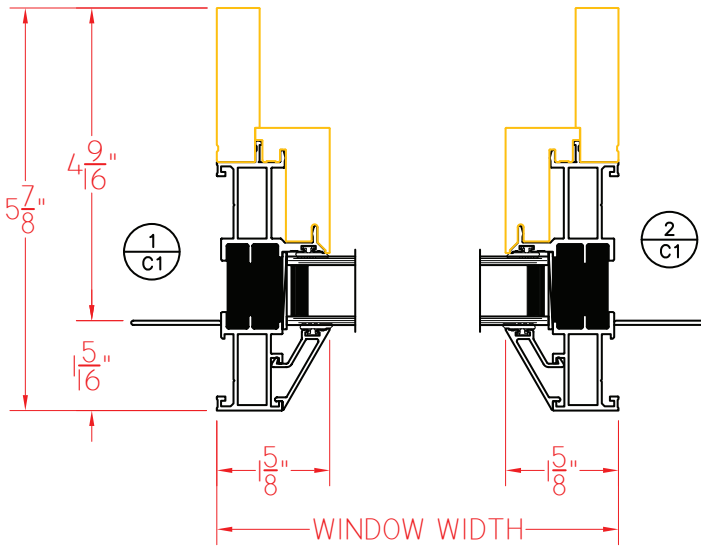


# W605 Series 5 7/8" Overall Frame Depth Fixed

## W605 SERIES FIXED

WITH NAILING FIN AND  
BEVELED GLAZING STOPS

This document contains confidential and proprietary information intended for the private use of Quaker.  
© 2019 Quaker Window Products Co., INC. All rights reserved.  
Quaker reserves the right to change any/all designs without notice. Due to periodic re-certification requirements, result shown may vary.



ELEVATION SCALE 3/4" = 1'-0"

SHEET C1  
SCALE 1:3

Our products are tested to the standards of and certified by some of the foremost organizations in the fenestration industry.



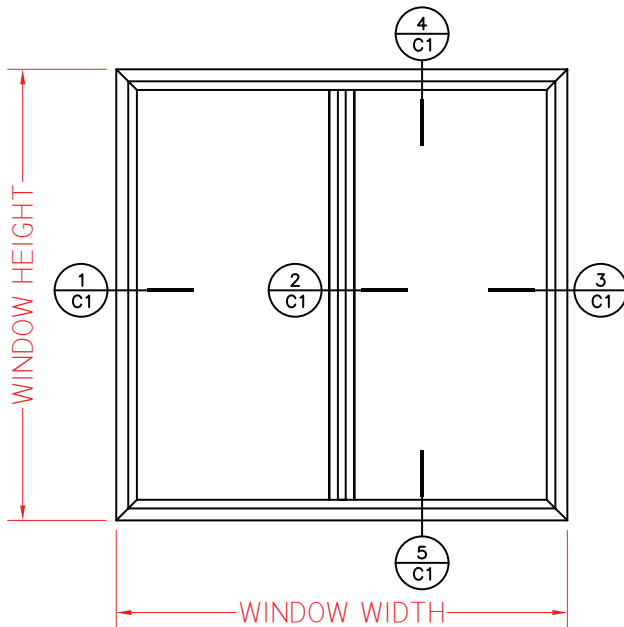
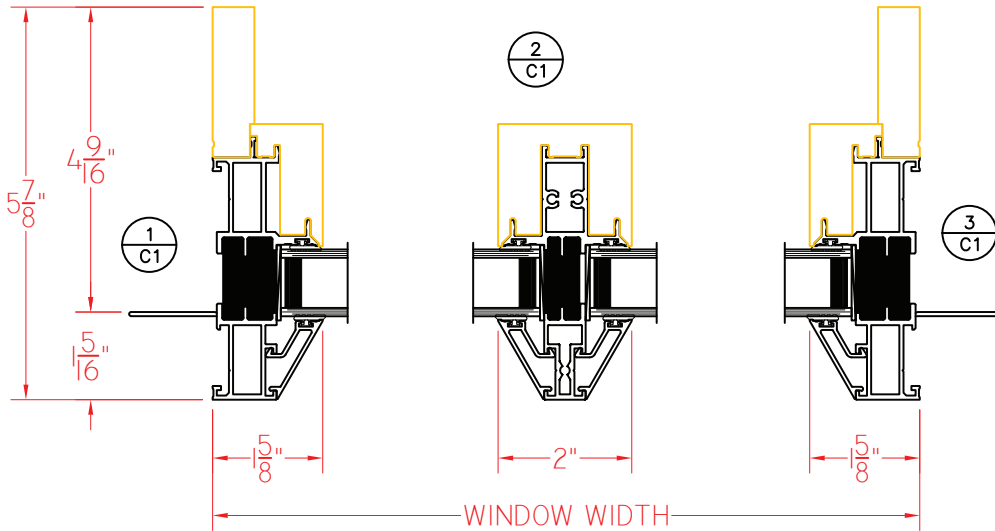


# W605 Series 5 7/8" Overall Frame Depth Fixed

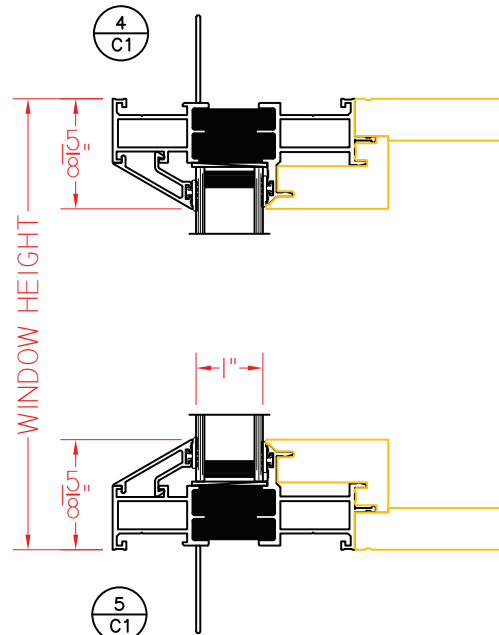
## W605 SERIES FIXED/FIXED (SIDE BY SIDE)

WITH NAILING FIN AND  
BEVELED GLAZING STOPS

This document contains confidential and proprietary information intended for the private use of Quaker.  
© 2019 Quaker Window Products Co., INC. All rights reserved.  
Quaker reserves the right to change any/all designs without notice. Due to periodic re-certification requirements, result shown may vary.



ELEVATION SCALE 3/4" = 1'-0"



SHEET C1  
SCALE 1:3

Our products are tested to the standards of and certified by some of the foremost organizations in the fenestration industry.



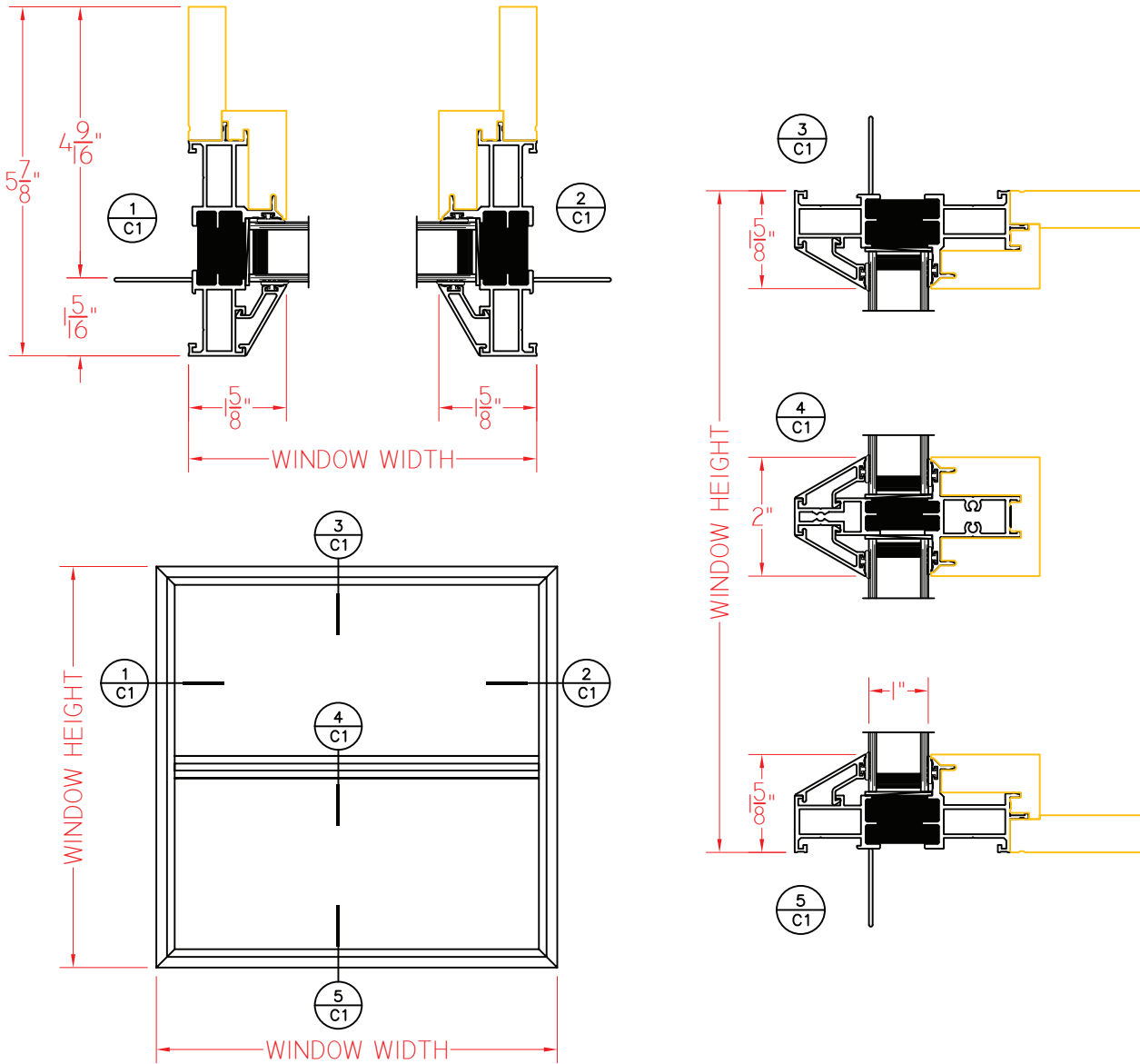


# W605 Series 5 7/8" Overall Frame Depth Fixed

## W605 SERIES FIXED/FIXED (STACKED)

WITH NAILING FIN AND  
BEVELED GLAZING STOPS

This document contains confidential and proprietary information intended for the private use of Quaker.  
© 2019 Quaker Window Products Co., INC. All rights reserved.  
Quaker reserves the right to change any/all designs without notice. Due to periodic re-certification requirements, result shown may vary.



ELEVATION SCALE 3/4" = 1'-0"

W605 FIXED / FIXED 12.19.2018

SHEET C1  
SCALE 1:3

Our products are tested to the standards of and certified by some of the foremost organizations in the fenestration industry.





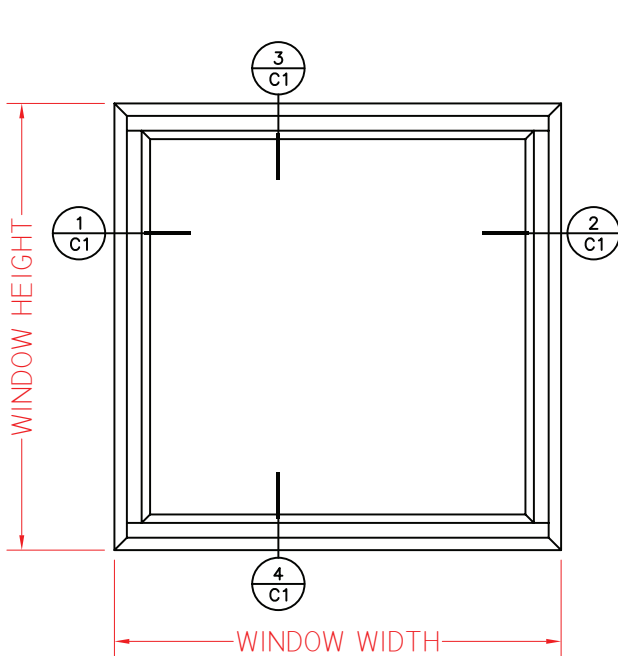
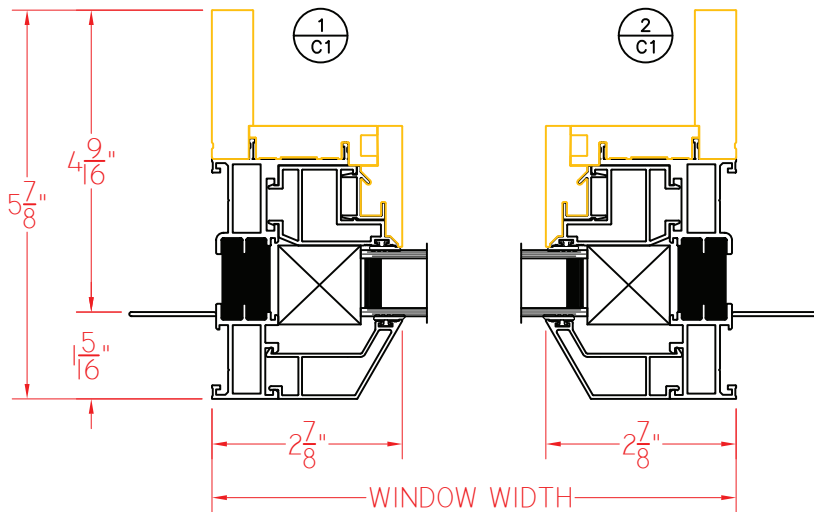


# W605 Series 5 7/8" Overall Frame Depth Fixed (Wider Frame)

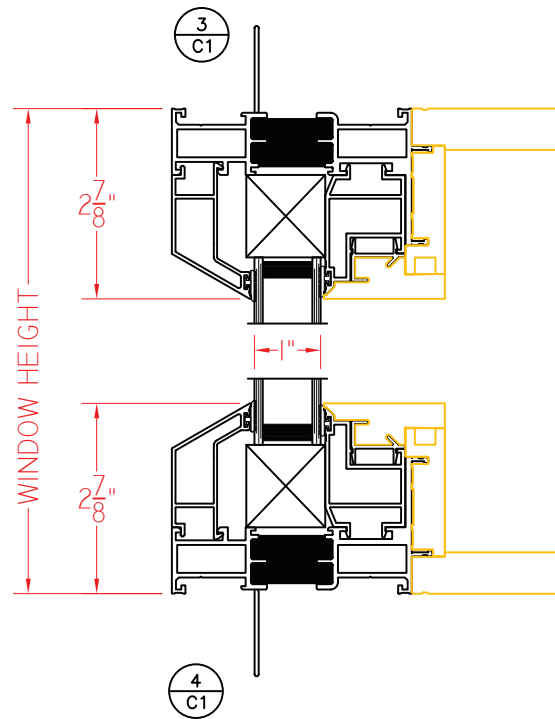
WITH NAILING FIN AND  
BEVELED GLAZING STOPS

## W605 SERIES FIXED WIDER FRAMING (2 7/8") TO BE USED IN WIRE-FRAME SET-UPS INCORPORATING AT LEAST ONE OPERATING UNIT

This document contains confidential and proprietary information intended for the private use of Quaker.  
© 2019 Quaker Window Products Co., INC. All rights reserved.  
Quaker reserves the right to change any/all designs without notice. Due to periodic re-certification requirements, result shown may vary.



ELEVATION SCALE 3/4" = 1'-0"



Our products are tested to the standards of and certified by some of the foremost organizations in the fenestration industry.

